



USB-Testbook

VoIP Turn-up and Maintenance Tester for Technicians

Service providers and equipment suppliers use USB-Testbook to turn-up and test VoIP trunks, hosted VoIP services and VoIP equipment. Designed to meet the needs of VoIP technicians USB-Testbook has one of the simplest user interfaces on the market. With a powerful feature set USB-Testbook provides a comprehensive test capability required for next generation voice environments.

USB-Testbook helps organisations accelerate revenue generation through quick and effective VoIP service provision and troubleshooting. Based on a USB memory stick USB-Testbook is a self-contained live software environment that can be run on most x86 based laptops or computers.



Figure 1: Simple Graphical User Interface and user-defined profiles provides users with one button setup capability.

By using a live USB memory stick users are able to turn existing laptop or computer assets into a powerful VoIP tester without the concern of anti-virus or other corporate lock-down issues that may be present when using the device in a native Windows mode.

Key Features and Benefits

USB-Testbook offers the most comprehensive support for VoIP turn-up and maintenance testing through its unique functional testing approach. By providing this capability USB-Testbook can emulate key VoIP/UC infrastructure elements allowing users to

quickly test and ensure the correct operation and performance of VoIP networks and equipment.

Users can for example connect USB-Testbook to VoIP trunks and networks emulating an IPBX making multiple VoIP calls ensuring the trunk is both operational and performing to pre-agreed Service Level Agreements. USB-Testbook can also emulate a VoIP network allowing VoIP equipment to be connected and tested without the need for an operational VoIP trunk or network to be available.

- ▶ VoIP Network and VoIP Equipment emulation modes as standard
- ▶ Support for SIP and H.323, H.323 Network mode includes H.323 Gatekeeper emulation
- ▶ T.38 Fax support allowing Fax over IP testing and verification

Powerful Emulation Workspace

USB-Testbook can support up to 30 simultaneous VoIP calls using 'Virtual Terminals' in the emulation workspace. Call quality MOS (Mean Opinion Score) metrics provide an indication of Media quality and different call modes help to stress VoIP signalling and media capacity.

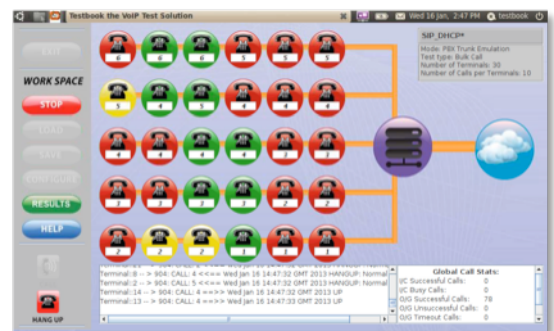


Figure 2: Emulation workspace provides a single view of the test and VoIP calls in progress.

The workspace provides a single graphical view of the test in process with call statistics, test log and call status all visible. Users can configure all test parameters within the workspace and save a test profile for future recall through a single button.

- ▶ Single Call, Sequential Call and Bulk Call modes
- ▶ Call quality metrics using Testbook's ITU E-Model (G. 107) implementation
- ▶ Outgoing and incoming call support with ability to generate hundreds of calls in bulk call mode
- ▶ Option of sending WAV file, looping or connecting to internal microphone and speaker on call completion
- ▶ Multiple codec support

Hosted VoIP Mode

With the increase in uptake of hosted VoIP telephony services especially in Small and Medium Enterprises (SME) there is a need for a quick and easy method of ensuring that the hosting server is available and configured correctly and that the customers network link is able to support the required number of hosted terminals.

USB-Testbook can emulate up to 30 'Hosted Terminals' each capable of registering with the hosted VoIP server and of initiating and receiving calls. By connecting to the network under test USB-Testbook can test the ability of each terminal to register and make calls and check the media quality of each terminal especially when all terminals have calls in progress at any one time.

- ▶ Emulation of up to 30 hosted VoIP terminals.
- ▶ Ability to generate and receive calls on each hosted terminal and provide call quality metrics (MOS)
- ▶ Emulation of Hosted VoIP server allowing testing of complete SME installation without the need for live hosted service

Test Reports

USB-Testbook provides a comprehensive PDF report every time you run a test ensuring that the user has a lasting record of the test that has just been performed.

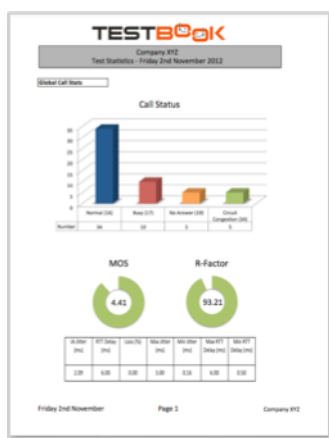


Figure 3: PDF reports provide an audit trail of tests performed that can be given to customers or used for internal records.

Two types of report are produced; a Call Log and Test statistics. The Call Log provides a record of all the calls that Testbook makes showing call status, the Test Statistics provide a call completion overview and call quality assessment for each terminal.

- ▶ Reports can be produced with user/customer logo in header
- ▶ MOS, R factor and RTP stats provided for each terminal
- ▶ Call Log provides a detailed view of all calls initiated by USB-Testbook

T.38 Fax Emulation

When enterprises install a VoIP telephony infrastructure they often move their existing Fax services to Fax over IP also known as ITU T.38. It is therefore important to be able to check that the VoIP network and T.38 gateway operate correctly and that successful fax transmission can take place.

USB-Testbook has the ability to emulate up to 5 T.38 fax machines and can send a user defined PDF document with the option to also convert any received document to PDF.

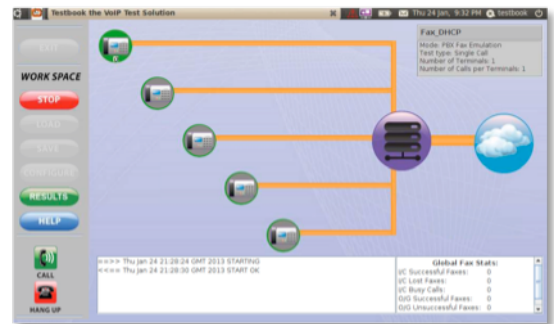


Figure 4: T.38 Fax emulation allows the VoIP network to be tested for its ability to successfully transmit and receive Fax over IP.

- ▶ T.38 Fax CPE and Network emulation
- ▶ Send or receive fax's using T.38 or in-band (G.711)
- ▶ Received fax's converted to PDF and stored automatically

Automatic Software Update

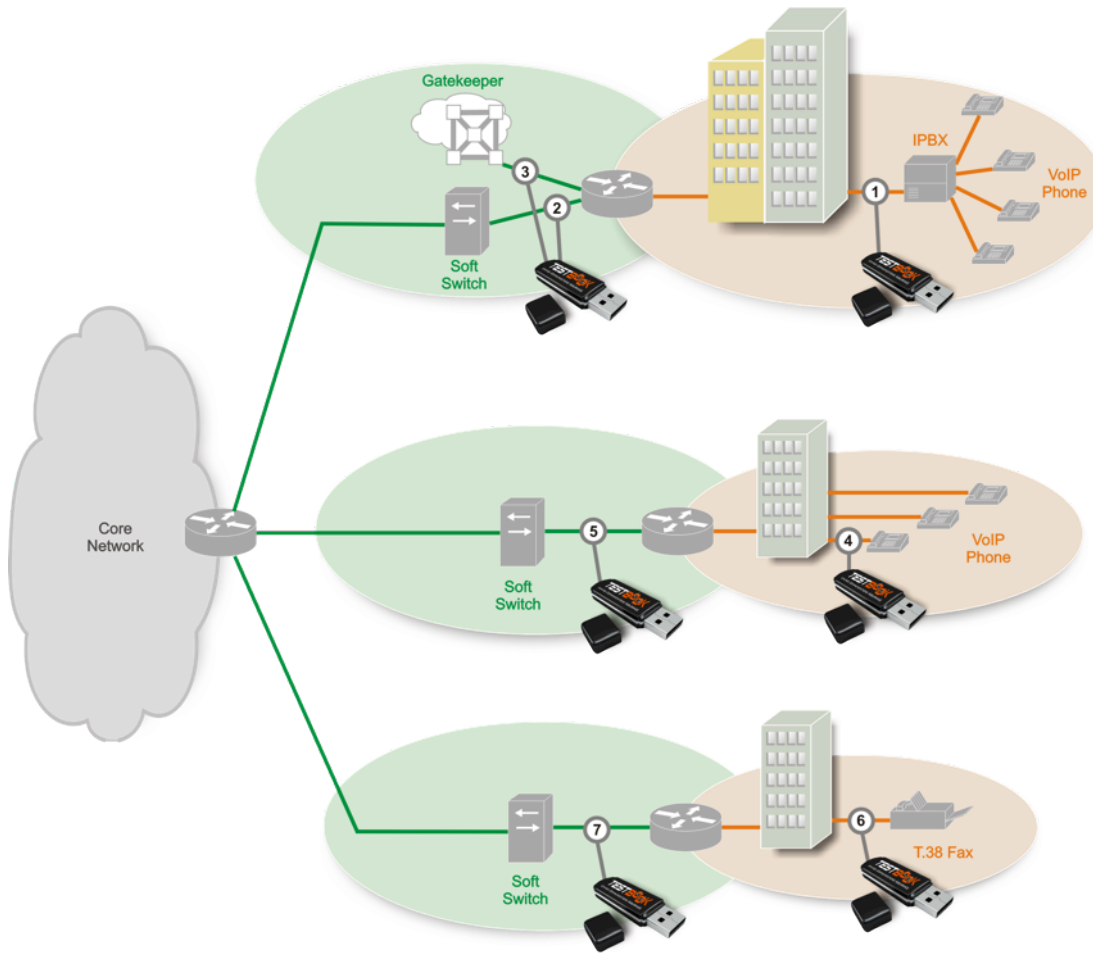
The optional annual software support package provides users with an online software update capability. When connected to the Internet USB-Testbook will check the Testbook Application Cloud Server and if a new version of software is detected will alert the user giving the option to download and update the software automatically.



Figure 5: Online software updates ensure that your USB-Testbook remains ready to test in the latest VoIP and UC environments.

In the rapidly changing VoIP and Unified Communications environment the software support package provides users with protection for their investment by ensuring that USB-Testbook always has the latest features and fixes.

Operational Modes of USB-Testbook



- 1 PBX Trunking Emulation**
USB-Testbook can emulate an IPBX or VoIP device on a SIP or H.323 trunk with up to 30 simultaneous terminals (Calls)
- 2 ITSP Trunking Emulation**
USB-Testbook can emulate a SIP or H.323 Network on a SIP or H.323 trunk with up to 30 simultaneous terminals (Calls)
- 3 H.323 Gatekeeper Emulation**
USB-Testbook can emulate an H.323 Network with combined H.323 Gatekeeper functionality with up to 30 simultaneous terminals (Calls)
- 4 Hosted Terminal Emulation**
USB-Testbook can emulate a Hosted VoIP terminal environment with up to 30 registered terminals
- 5 Hosted Server Emulation**
USB-Testbook can emulate a Hosted VoIP Server/Network environment accepting up to 30 registered hosted terminals
- 6 T.38 Fax Emulation**
USB-Testbook can emulate up to 5 T.38 fax devices allowing test faxes to be sent or received.
- 7 T.38 Fax Gateway Emulation**
USB-Testbook can emulate a T.38 Fax Gateway/Network environment allowing up to 5 T.38 fax devices to be tested both receiving and sending test faxes.

Related Products

UC-Testbook

UC-Testbook is a self contained VoIP tester that runs on a dedicated x86 based Netbook. Designed to meet the needs of VoIP technicians UC-Testbook has one of the simplest user interfaces on the market.

UC-Testbook offers the most comprehensive support for VoIP turn-up and maintenance testing through its unique functional testing approach. UC-Testbook can support up to 30 simultaneous VoIP calls using 'Virtual Terminals' in the emulation workspace. Call quality MOS (Mean Opinion Score) metrics provide an indication of Media quality and different call modes help to stress VoIP signalling and media capacity.



ABOUT TESTBOOK

Testbook delivers advanced turn-up and maintenance tools for VoIP and Unified Communications allowing technicians to rapidly turn-up and maintain VoIP trunks and hosted services, VoIP servers, IPBX's, terminal equipment, in Carrier, Enterprise and cloud environments.

Headquarters
7 Midshires Business Park
Smeaton Close
Aylesbury, HP19 8HL
United Kingdom
T: +44 (0)1296 761886
F: +44 (0)1296 436247

www.testbook.net

TESTBOOK
UNIFIED COMMUNICATIONS ASSURANCE